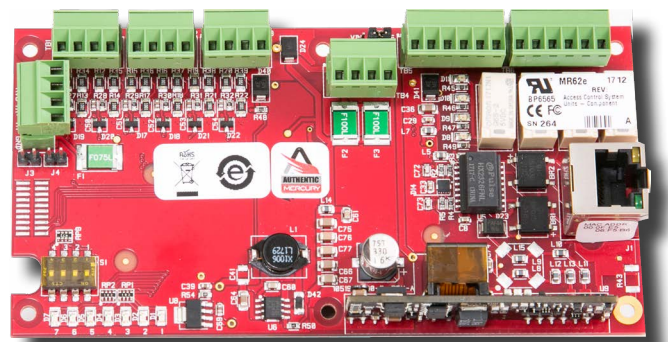


# Series 3 - AC-MER-RIM-MR62E IP-enabled Serial I/O Interface Module

The Avigilon Access Control Manager (ACM) system supports open field hardware from Mercury Security allowing organizations to leverage investments in non-proprietary field hardware, with retrofit programs available for industry standard multi-device interface panels, power and communication controller boards, and intelligent controllers. The new Authentic Mercury MR Series 3 Serial Input/Output modules enable system expansion of Authentic Mercury intelligent controllers as part of Mercury's distributed architecture. The enhanced modules offer an improved processor and increased memory, plus feature an embedded crypto memory chip that provides a secured layer of encryption to onboard sensitive data.

The AC-MER-RIM-MR62E Series 3 is an IP-enabled interface module with on-board flexibility to connect a wide range of security devices. The AC-MER-RIM-MR62E is easy to install and provides the required I/O for interfacing four card readers using OSDP protocol, six general-purpose input monitor points and four control relays to any Authentic Mercury series intelligent controller.

The AC-MER-RIM-MR62E's provides increased power output using PoE+ and provides one reader port supporting OSDP Secure Channel readers, including non-keypad, keypad and biometric readers.



## KEY FEATURES

OSDP Protocol: Supports OSDP and Secure Channel communications
Enhanced Security: Embedded crypto memory chip provides secured layer of encryption to protect sensitive data
Edge-capable input/output module supporting PoE+ power
Provides up to 1.5 A of power at door for reader, lock and more
IPv4/6
Intelligent controller to AC-MER-RIM-MR62E communications protected by TLS 1.2/1.1 or AES-256/128
Generate and load custom peer certificates for TLS
FIPS 140-2 user of OpenSSL
Port based network access control using 802.1X
Zerconf Device Discovery (mDNS)
Supports OSDP Readers Only, multiple card formats, paired and alternate readers, elevator, turnstile and biometric devices
Anti-passback support (area, reader and time based)

# Specifications

TECHNICAL SPECIFICATIONS		
Door Control	Natively supports for up to 4 OSDP. Does not support Wiegand readers. AC-MER-RIM-MR62E, when linked to an Authentic Mercury Intelligent Controller, controls up to 2 openings	
Card Formats	Eight active card formats per intelligent controller. Entire card number reported on invalid read 19 digit (64-bit) User ID and 15 digit PIN numbers maximum PIV, CAC, TWIC card compatible	
Power Input	PoE (12.95 W), compliant to IEEE 802.3af or PoE+ (25 W), compliant to IEEE 802.3at or 12 Vdc $\pm$ 10 %, 1.7 A maximum	
Power Output	PoE: Locks and Reader, combined: 12 Vdc @ .66 A MAX, PoE+ or 12 Vdc: Lock 12 Vdc @ 1 A MAX, Readers 12 Vdc @ .5 A MAX	
Output	Four relays, Form-C contacts rated at 2 A @ 30 Vdc	
Inputs	Six unsupervised/supervised, End of Line resistors, 1k/1k ohm, 1%, ¼ watt standard	

READER INTERFACE		
Power	12 Vdc @ .5 A MAX	
Communication	2-Wire RS-485, OSDP protocol, four devices maximum	

CABLE REQUIREMENTS		
Ethernet	CAT-5, minimum	
External Input Power	1 twisted pair, 18 AWG (if required)	
Alarm Inputs	1 twisted pair per input, 30 ohm maximum	
Relay Outputs	As required for the load	
Reader Data RS-485 Power	2 twisted pair with shield, 24 AWG, 120 ohm impedance, 4000 foot (1220 m) MAX or RS-485: 1 twisted pair with shield, 24 AWG, 120 ohm impedance, 4000 foot (1220 m) MAX Power: 1 pair 18 AWG	

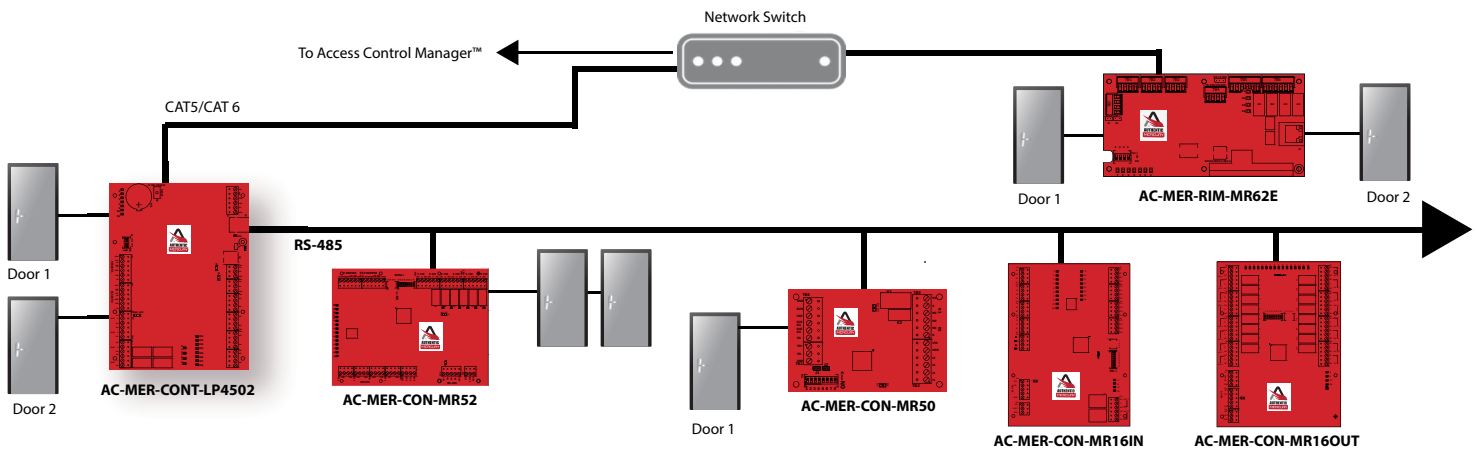
\* Type of cable(s) and gauge determined by length and voltage/ current requirements. Local power source may be required

ENVIRONMENTAL		
Temperature	-55 to 85 °C storage, 0 to 70 °C, operating	
Humidity	5 to 95% RHNC	

MECHANICAL		
Dimensions	5.5 in. (140 mm) W x 2.75 in. (70 mm) L x 0.96 in. (24 mm) H without bracket 5.5 in. (140 mm) W x 3.63 in. (92 mm) L x 1.33 in. (34 mm) H with bracket	
Weight	4 oz. (112 g) without bracket 5 oz. (142 g) with bracket	

COMPLIANCE		
Product Compliance	UL294 Recognized*, FCC Part 15 Class A, CE Compliant, RoHS, NIST Certified Encryption	

\* For UL, the Power Sourcing Equipment (PSE) such as a PoE or PoE+ enabled network switch and/or PoE or PoE+ power injectors must be UL Listed under UL294B.



ORDERING INFORMATION		
AC-MER-RIM-MR62E	Series 3 - AC-MER-RIM-MR62E - IP-enabled Serial I/O Interface Module	